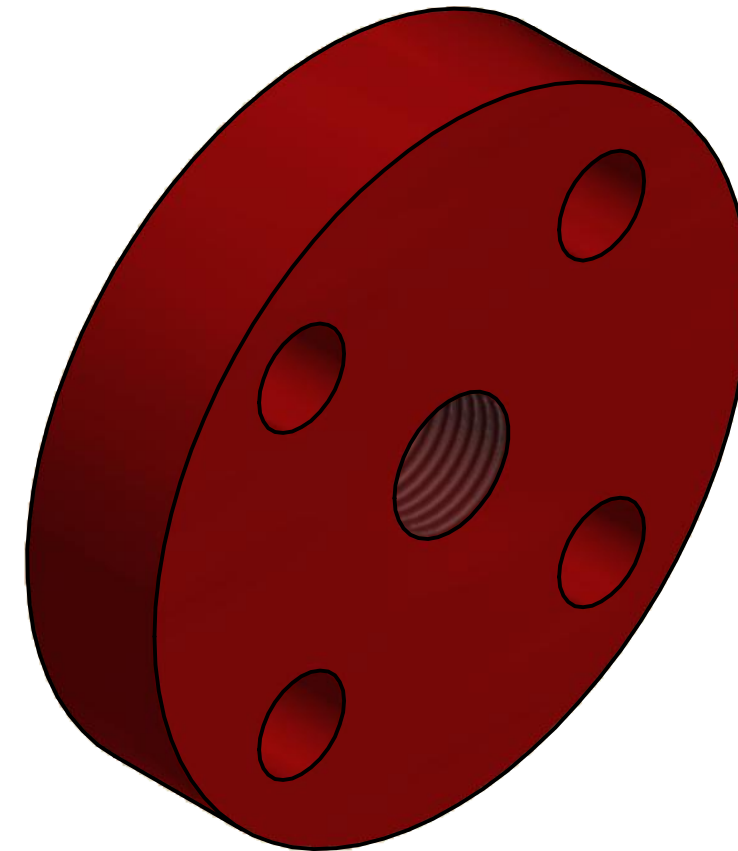
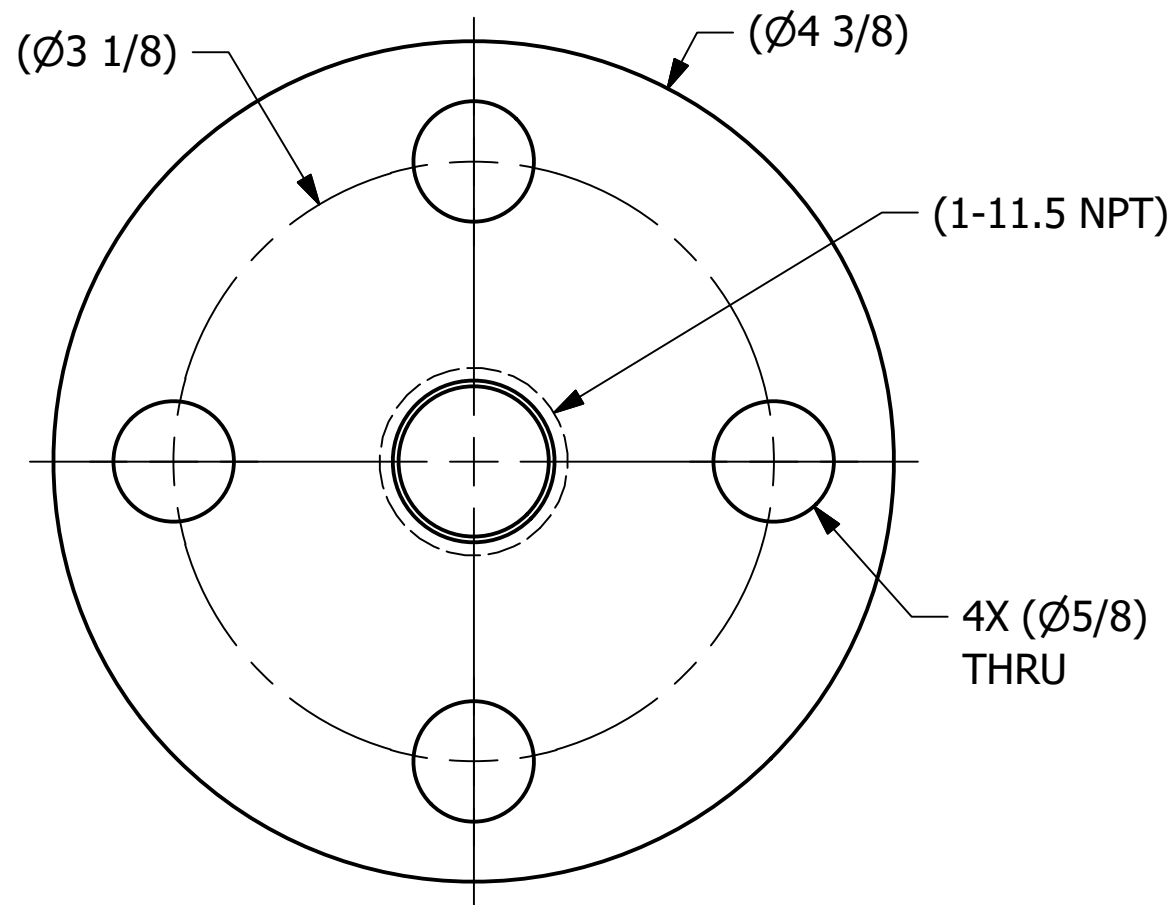
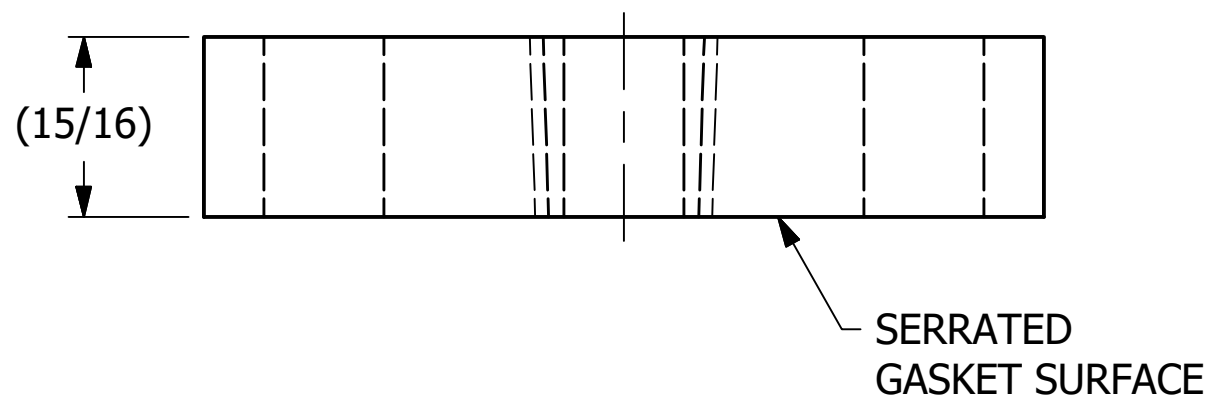


SALES DRAWING SALES DRAWING SALES DRAWING

SALES DRAWING



ISOMETRIC VIEW



UNLESS OTHERWISE SPECIFIED DIMENSIONAL TOLERANCES		DRAWN BY:	BRG
FRACTIONAL:	$\pm 1/16$	CHECKED BY:	WRB
X.XX:	$\pm .03$	PROTOTYPE DATE:	11/3/2011
X.XXX:	$\pm .015$	APPROVED FOR PRODUCTION BY:	WRB
ANGULAR:	$\pm 1^\circ$	PRODUCTION DATE:	3/6/2012
DEBURR ALL SHARP EDGES. ALL MACHINED SURFACES TO HAVE A 125 RMS FINISH UNLESS NOTED OTHERWISE.		SIZE:	B
THIRD ANGLE PROJECTION		DRAWING #:	31900

C	TAK	5/29/20	202005291127	TAK
REV	BY	DATE	REF #	PUB
SALCO PRODUCTS, INC.				
PART NAME: AIR INLET FLANGE 1" NPT X 1" 150 LB				
MATERIAL: SALCO PE				
PROJECT #: 111030		SHEET #: 1 OF 1		SCALE: 1:1
PART #: HS11AIFP				